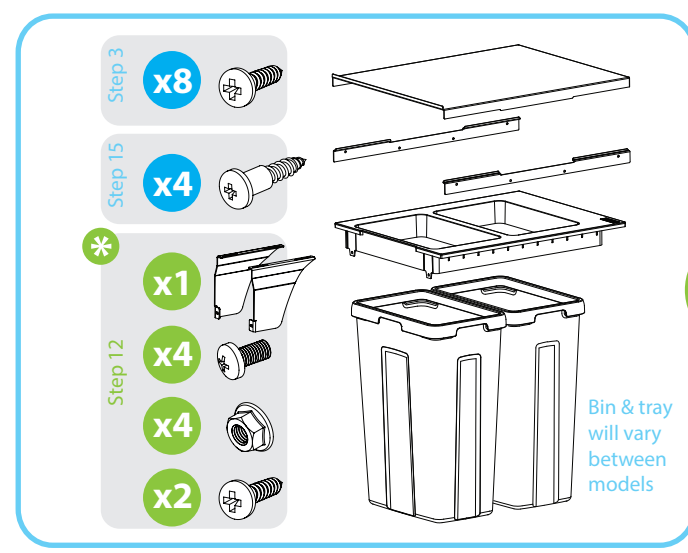


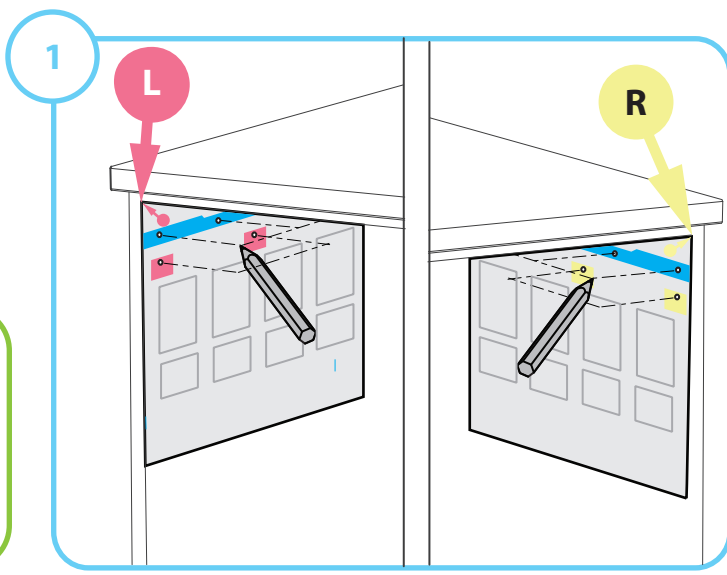
Product Dimensions



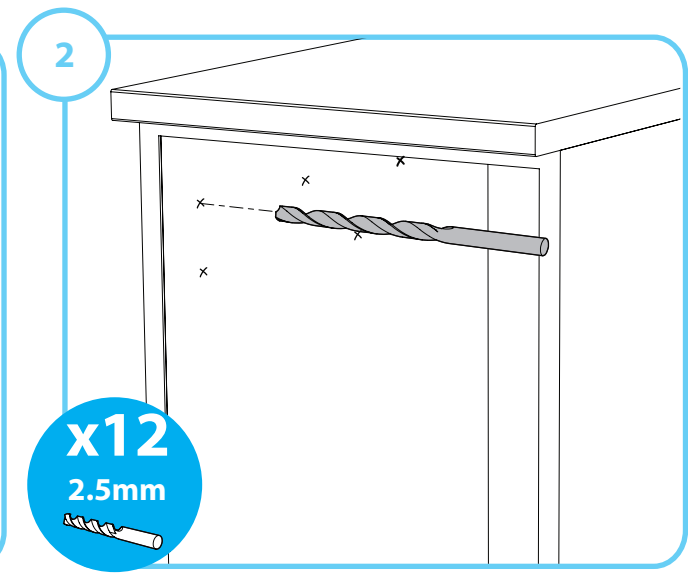
Supplied components + standard DTC Infinity Doublewall Drawer Kit



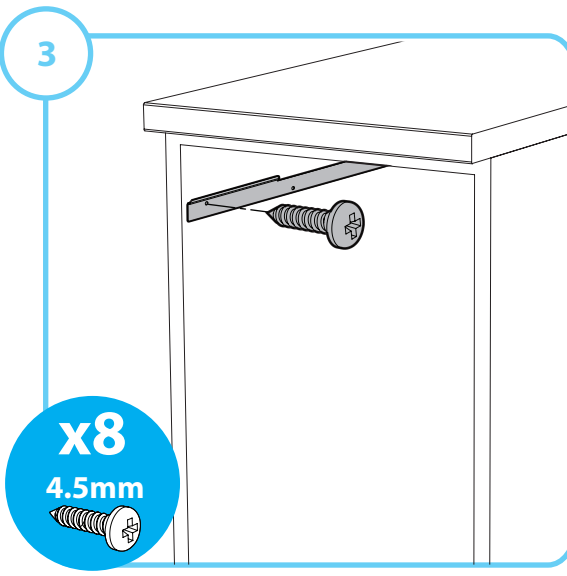
Door Support Brackets



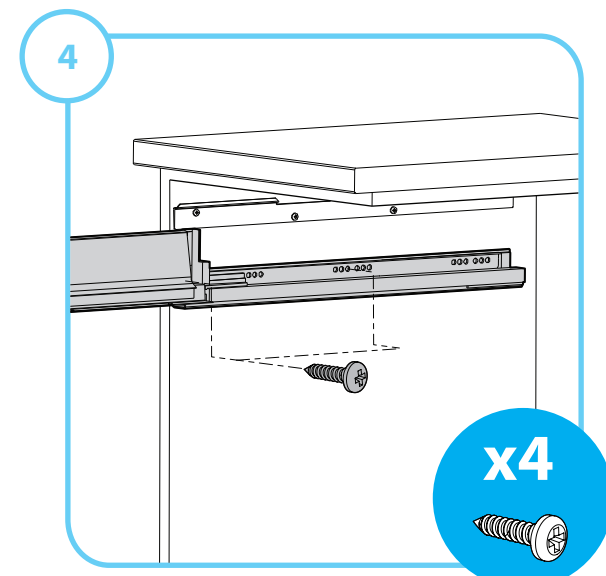
Use above template to mark holes



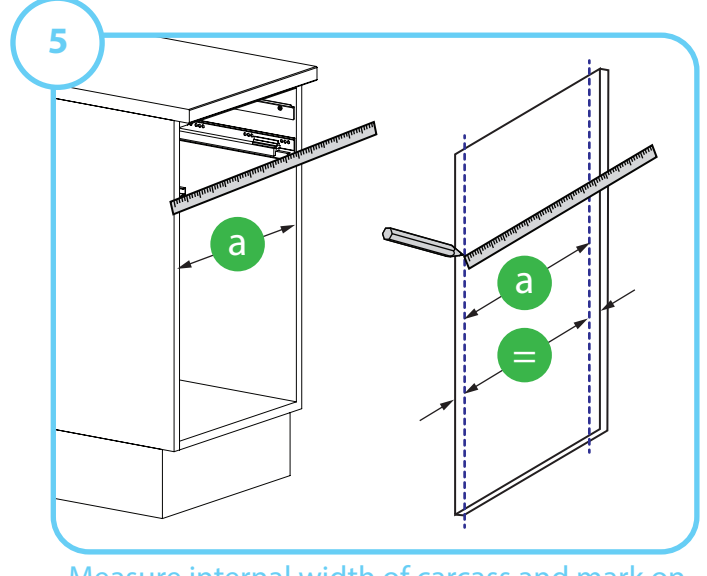
Drill marked holes L + R



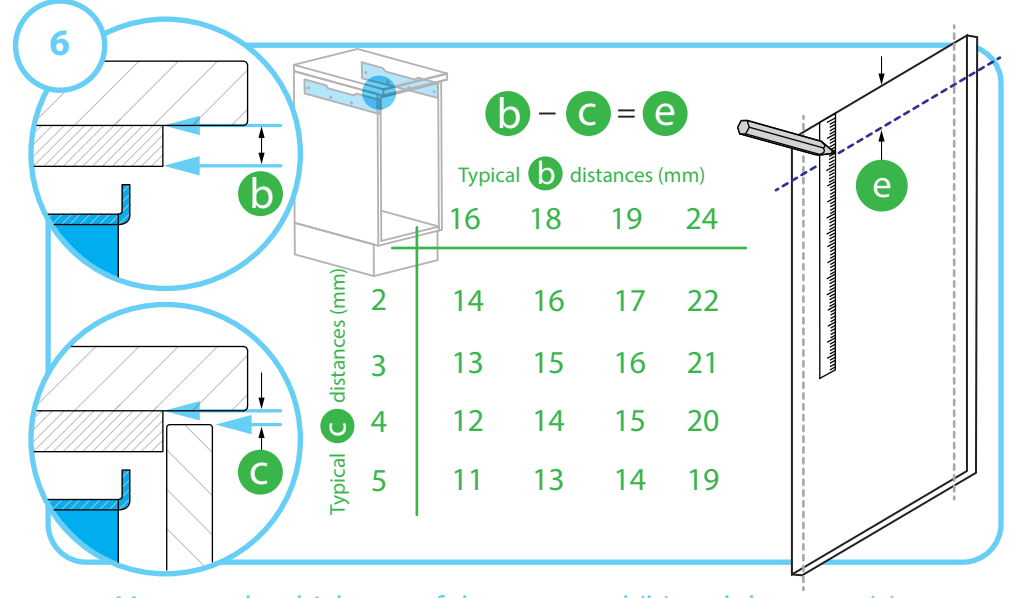
Attach both brackets



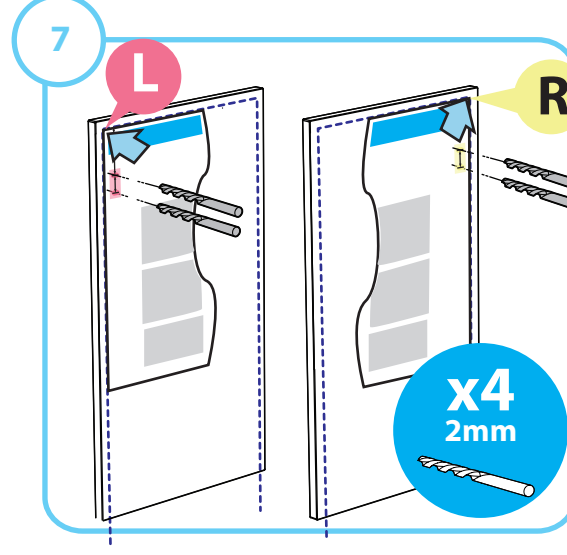
Mount DTC Infinity slides



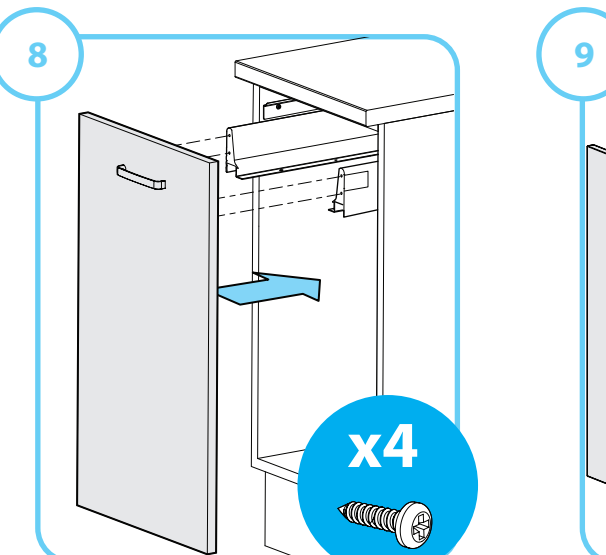
Measure internal width of carcass and mark on inside of door



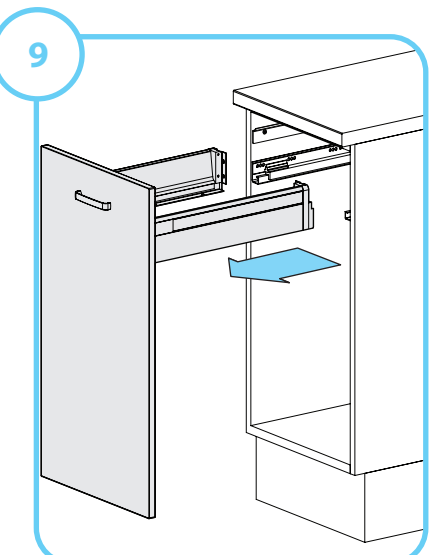
Measure the thickness of the top panel (b) and door gap (c) to calculate (e). Mark down from top of door



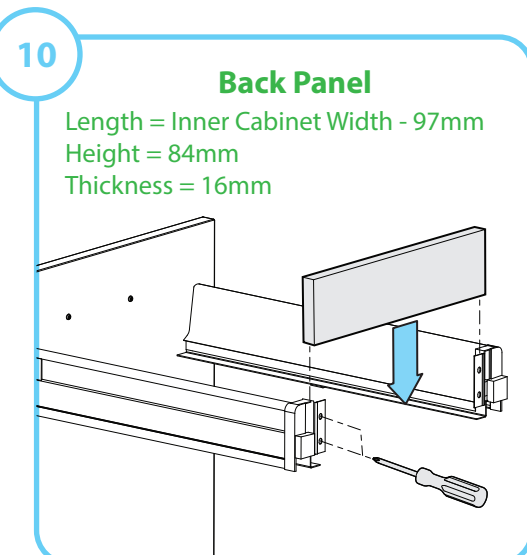
Align instructions and use side templates to mark and drill holes



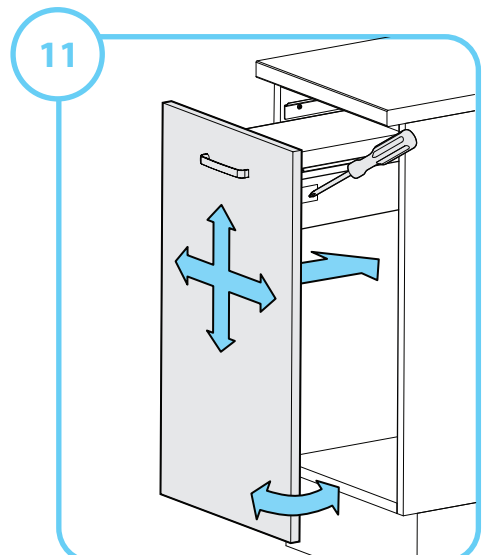
Mount door to drawer



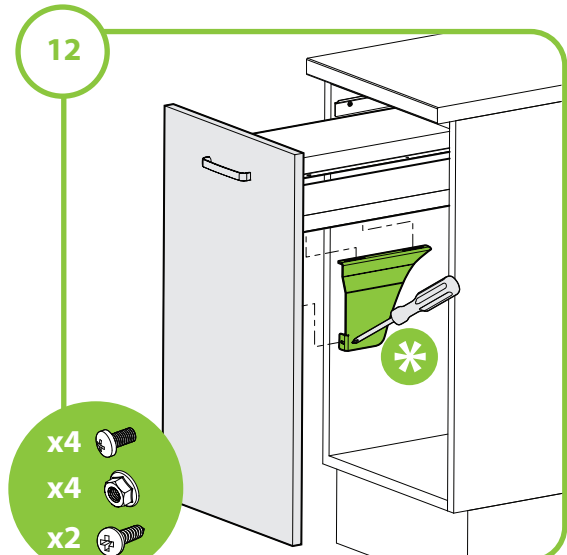
Remove drawer assembly



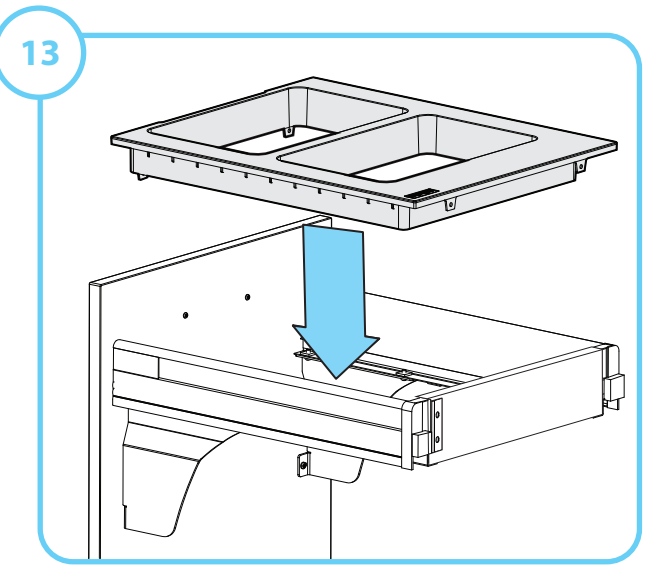
Install drawer back



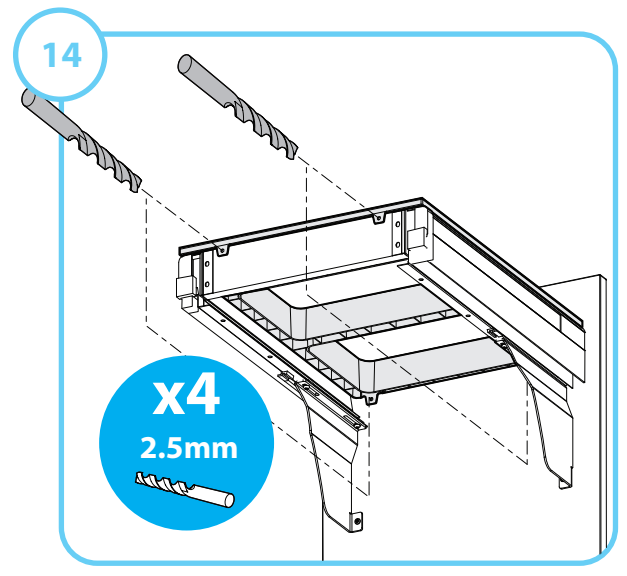
Re-install drawer assembly and adjust door



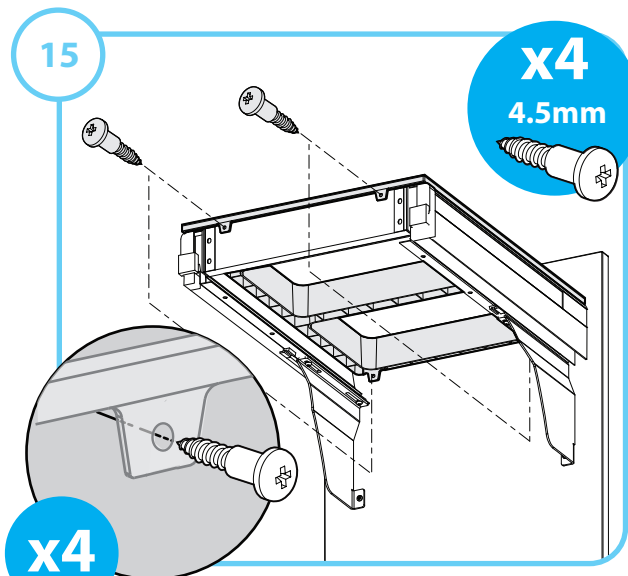
Attach door brackets if supplied



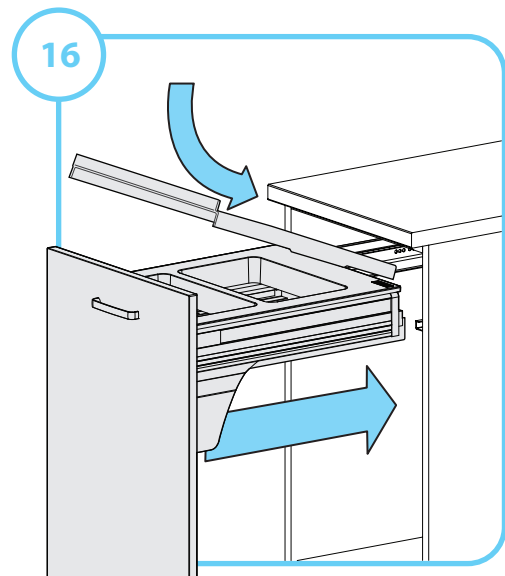
Install tray



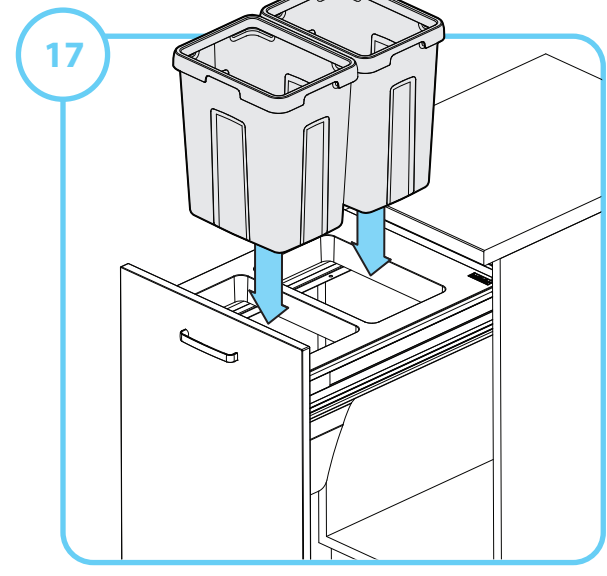
Center tray, mark and drill holes



Attach tray with stepped screws



Re-install drawer and insert metal lid



Insert bins in tray