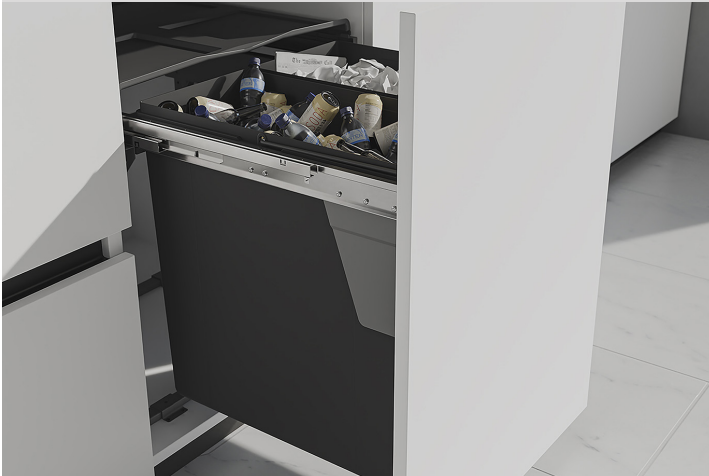


M-Series Eco-Bin Max



Product Features

The classic waste pullout is the best economical solution for waste recycling in your kitchen. Featuring an integrated door mount bracket, cover, and a full-extension slide.

- Half-size optional 17L bins (sold separately)
- Can be setup with 2, 3 or 4 bins, picture shows 2 x 34L bins
- Door mount included but hinge door compatible
- Load capacity: 25kg (55lbs)

Ordering Guide (2x34L bins for 600mm (24") cabinets)

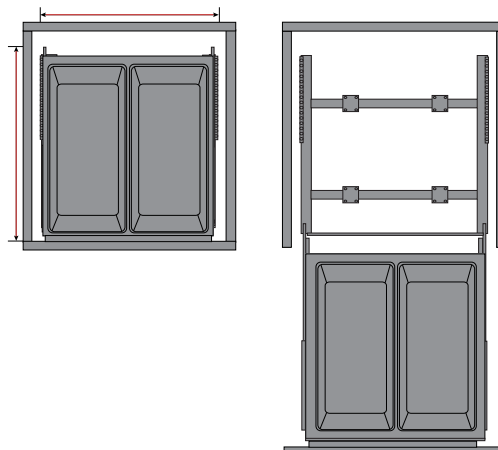
Description	Part#
Anthracite Grey 536 x 537 x 496mm (21 ⁵ / ₈ x 21 ⁵ / ₈ x 19 ¹ / ₂ ")	04-1016-AG

Ordering Guide (optional replace one 34L bin with two 17L bins)

Description	Part#
Anthracite Grey bins	04-1016-AGBIN-17L

Minimum Interior Cabinet Dimensions

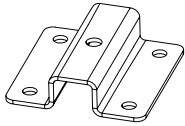
W x H x D 550 x 600 x 510mm (21 ⁵/₈ x 23 ⁵/₈ x 20 ¹/₁₆")





What's In The Box

1. x4

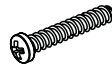


2. x16



Pan Head
#8 x 5/8in

3. x6



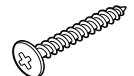
Pan Head
#8 x 1in

4. x4



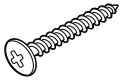
Flat Head
5/32 x 2in

5. x16



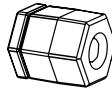
Flat Head
5/32 x 2 3/8in

6. x4

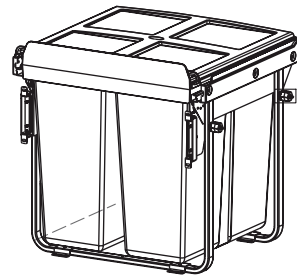


Pan Head
#8 x 1/2in

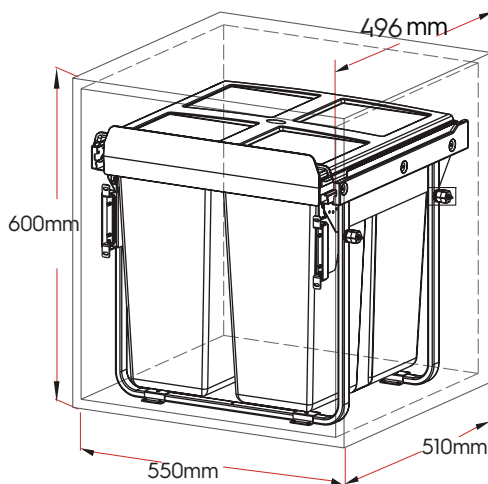
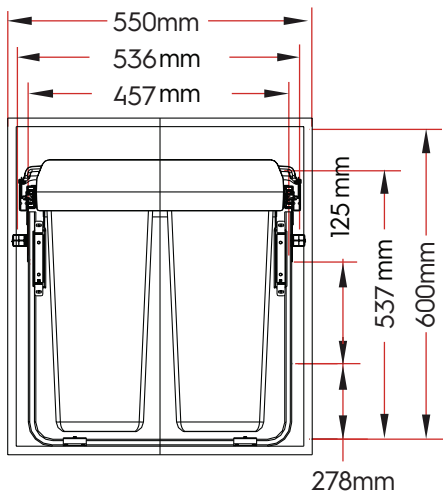
7. x4



8. x1

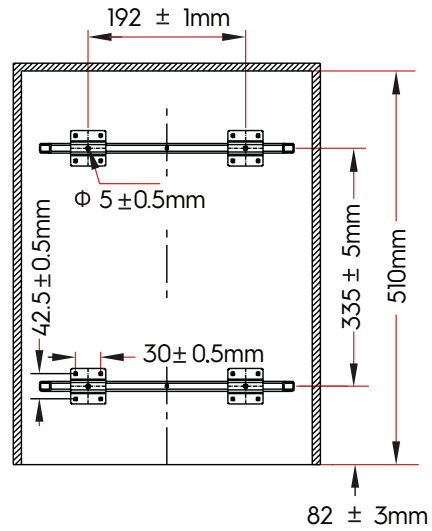
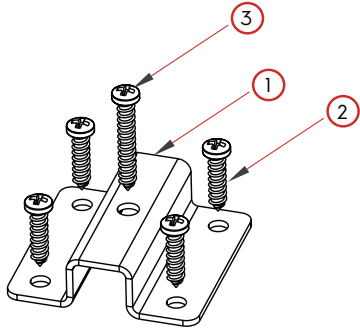


Internal Cabinet Required Dimensions

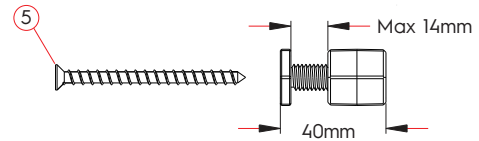
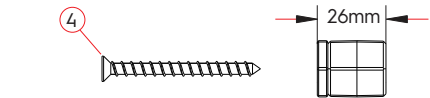
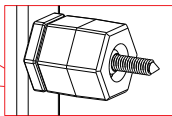
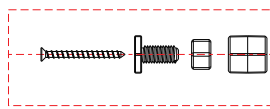
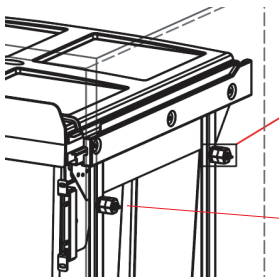




Bottom Bracket Drilling and Installation



Side Spacer Installation (optional)



Door Installation

