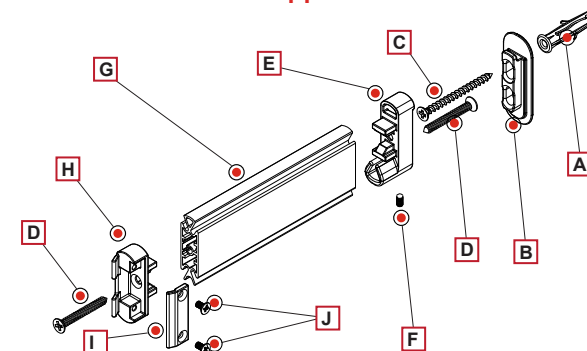


### Wall Connector Support Bracket Installation

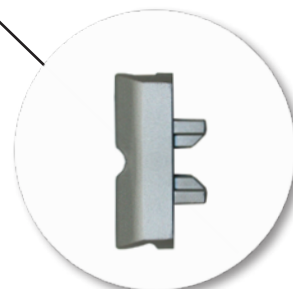
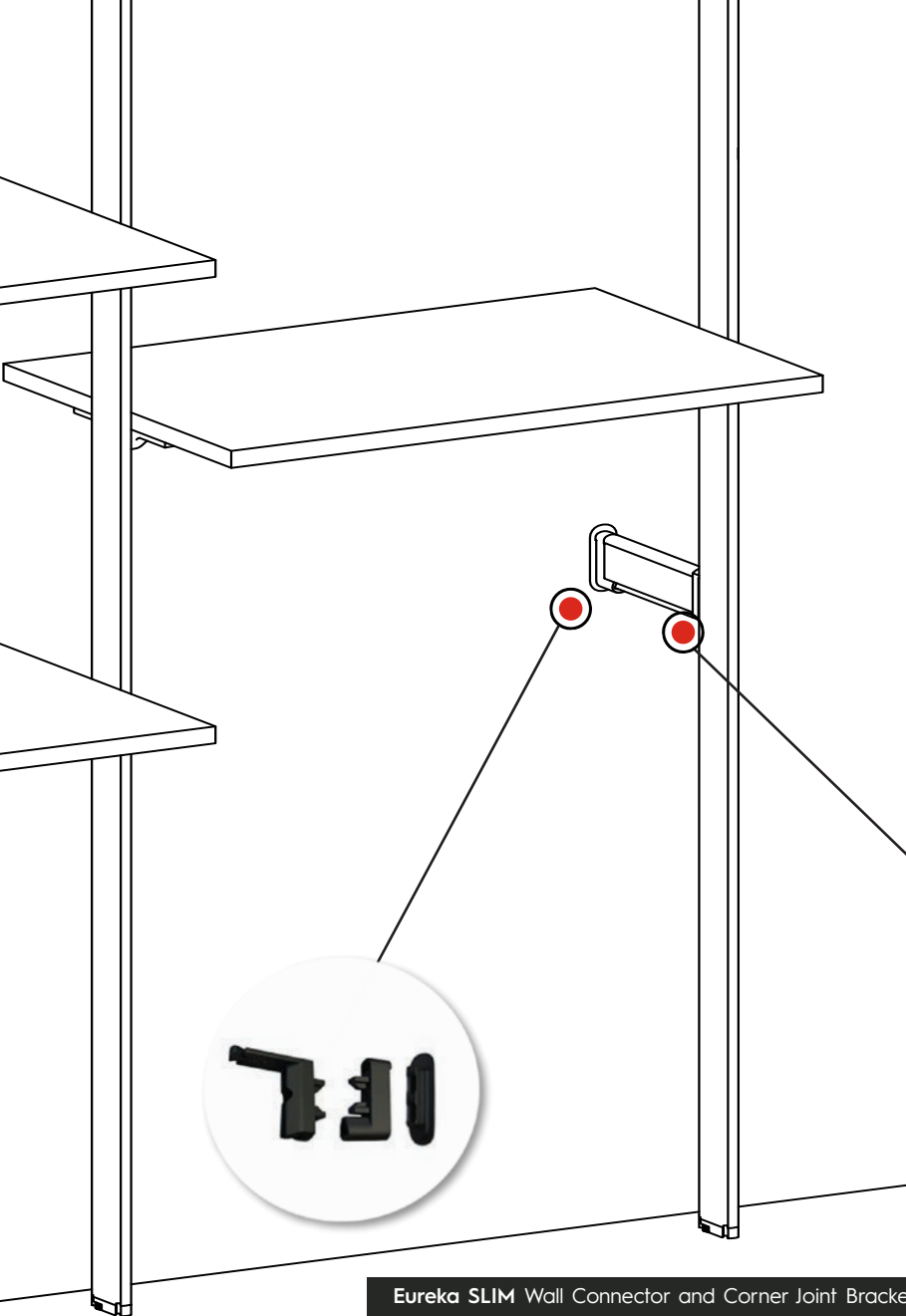


- A** x1 Drywall anchor plugs Ø8
- B** x1 Metal wall foot
- C** x1 Wood screws Ø5
- D** x1 Self tapping screw Ø5.5 x 50mm
- E** x1 Metal intermediate plate
- F** x1 Hexagon Socket set screw chamfered M4
- G** x1 Slim bar profile (cut to size)
- H** x1 Support bracket
- I** x1 Metal Clamp
- J** x2 Screws M4 x 8mm

1. Fix the metal intermediate piece **E** to the horizontal style **G** with screw **D**
2. Drill the wall with a Ø8 bit and insert the wall plug **A**
3. Fix the wall foot **B** to the ceiling the screw **C**
4. Connect the metal intermediate piece **E** with the wall foot **B** and fix them together with screw **A**
5. Fix the support **H** to the intermediate profile **G** with the screw **D**
6. Put the vertical profile between the support **H** and the clamp **I**
7. Close the vertical profile with the screws **J**

**\*\*Note:** The Wall Connector Support Bracket installs together with the Wall Connector and Corner Joint Kit. You must order both products to install correctly.

These installation instructions show assembly pieces from both kits combined together.



#### Eureka SLIM Wall Connector and Corner Joint Bracket

Item Description	Part#
Anodized Aluminum	035-3524-AN
Matte Black	035-3524-MB

#### Eureka SLIM Wall Connector Support Bracket

Item Description	Part#
Anodized Aluminum	035-3532-AN
Matte Black	035-3532-MB