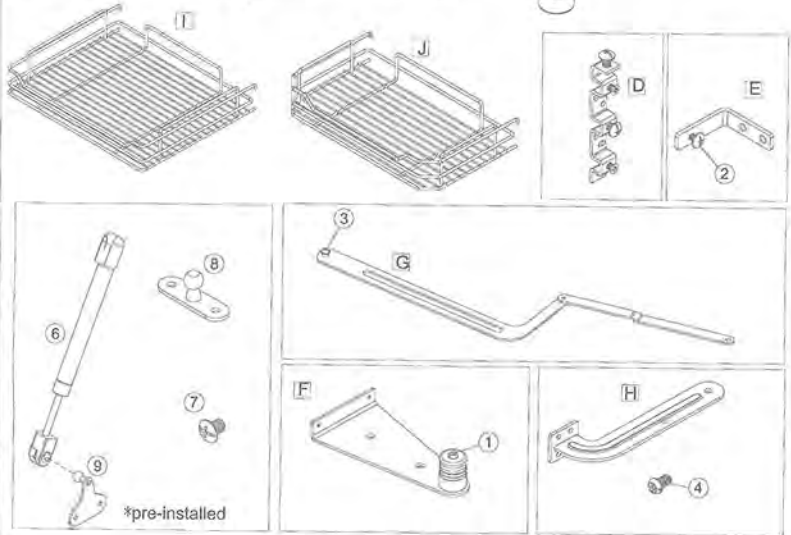
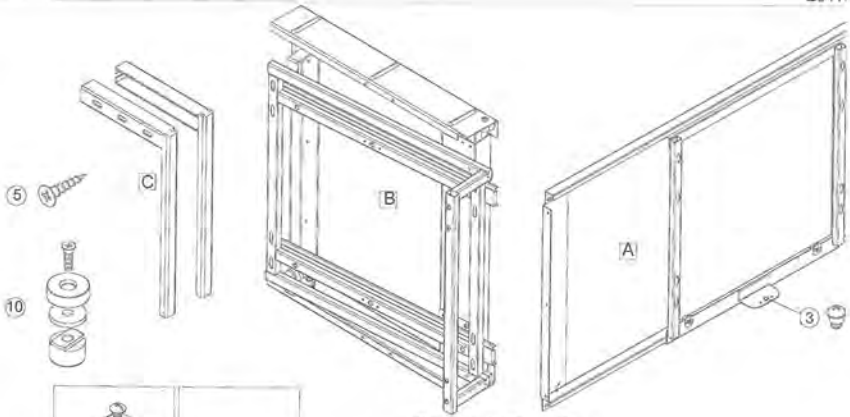
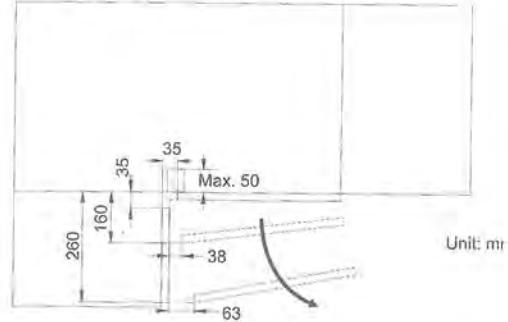


Item No. MH111-B/MH211-B
One Action Corner Kit(Soft closing function)

PANELS CHECK LIST			FITTINGS CHECK LIST		
Description	QTY		Description	QTY	
A Inside Frame	1	1	Plastic cover	1	
B Swivel Frame	1	2	Screw	2	
C Adjustable fitting	1 set	3	Screw	2	
D Door Bracket	2	4	Screw	2	
E Door holder	2	5	Screw	30	
F Bottom holder	1	6	Gas Spring	1	
G Connector	1	7	Screw	4	
H Support	1	8	Bracket	1	
I Large Basket	2	9	Bracket	1	
J Small Basket	2	10		1	



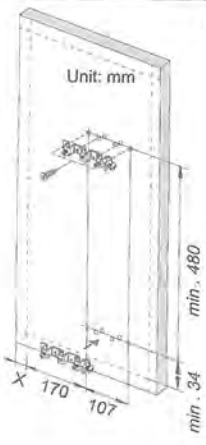
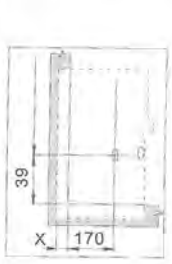
Open angle dimension



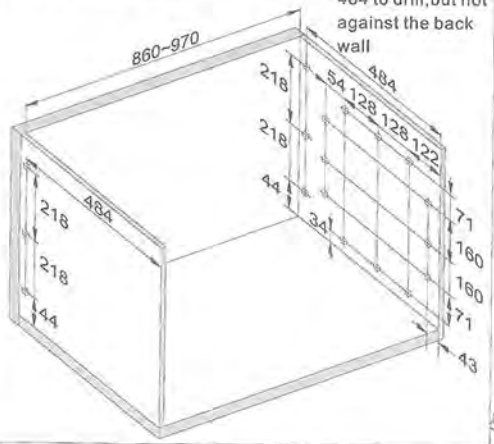
Note:

1. The Min. height of inner dimension of cabinet: 550mm
2. The suitable width of door: 400~450mm
3. Load capacity: Frame "A" 20Kgs / Frame "B" 15Kgs

Door dimension

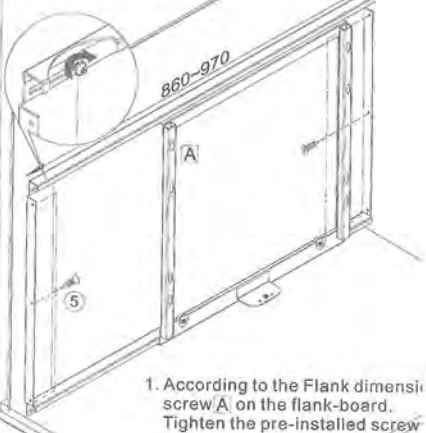


Bottom & Flank dimension

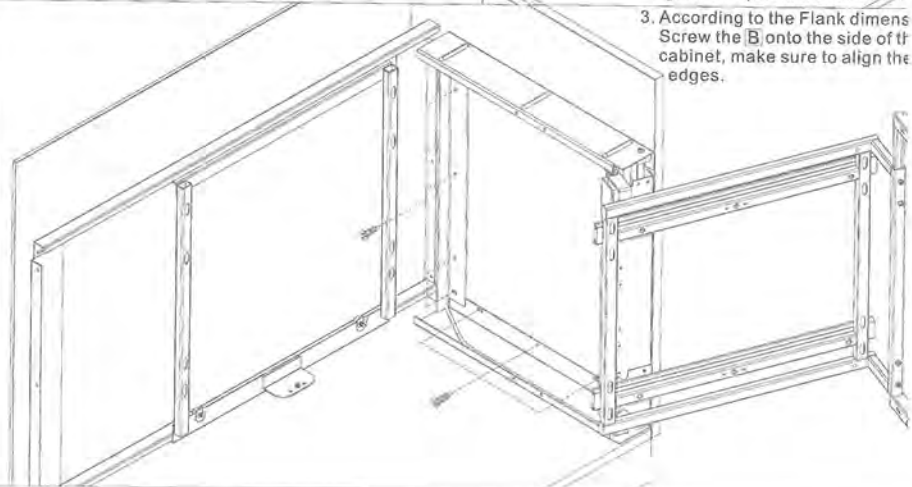
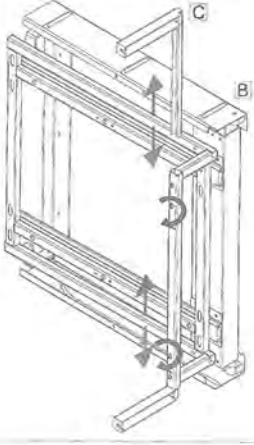


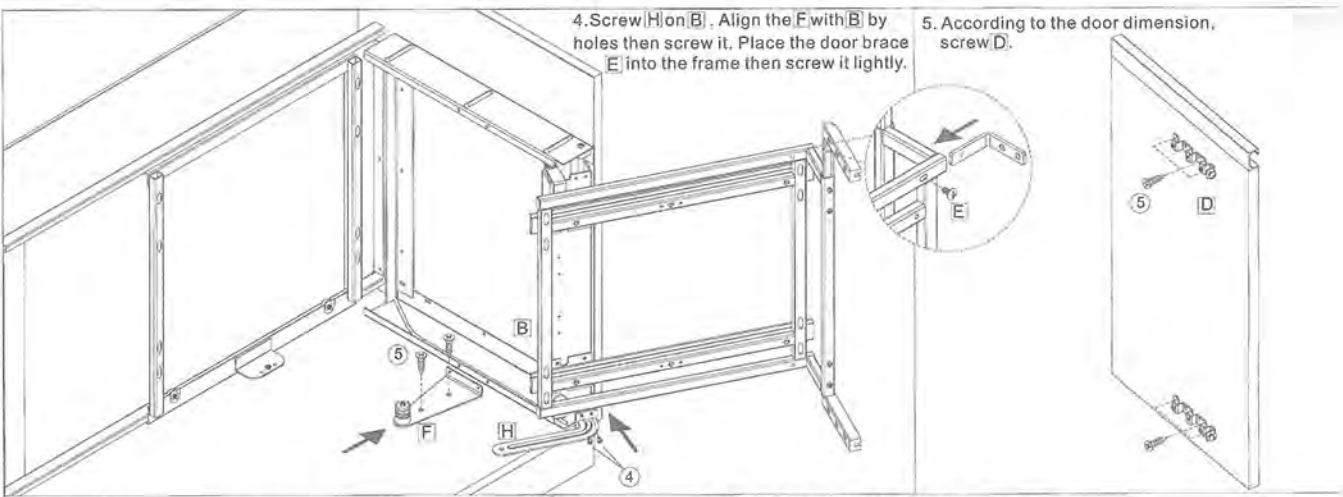
According to size 484 to drill, but not against the back wall

*After adjusting, lock 4 sides screw tightly



2. Place the C to B. Tighten with the pre-installed screws.



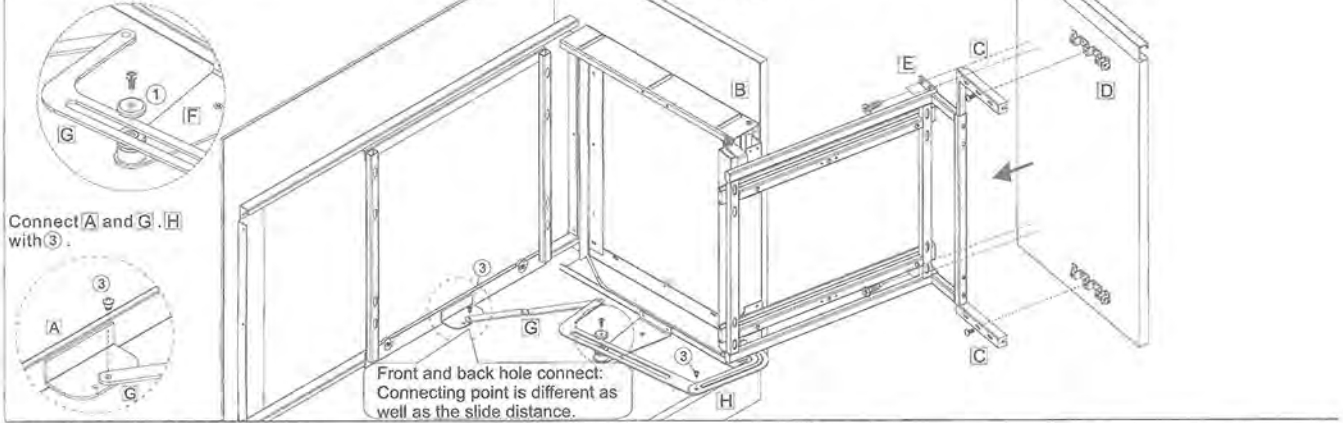


4. Screw **H** on **B**. Align the **F** with **B** by holes then screw it. Place the door brace **E** into the frame then screw it lightly.

5. According to the door dimension, screw **D**.

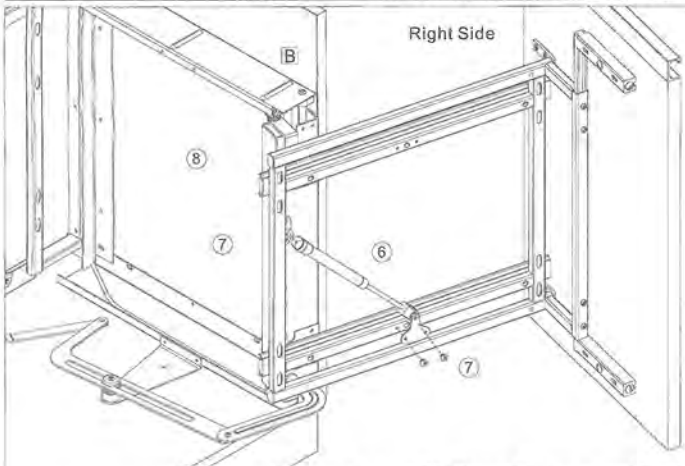
Place the plastic cover **1** into **G** first, then tighten to **G** with **F**.

6. Place the door brace into the frame then adjust the door angle and screw it.

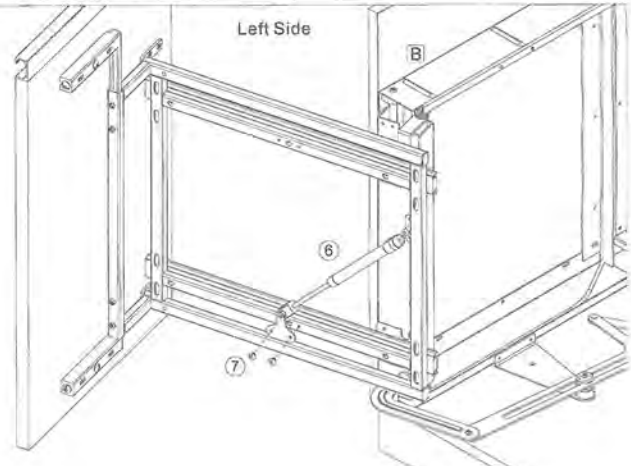


Connect **A** and **G**. **H** with **3**.

Front and back hole connect. Connecting point is different as well as the slide distance.



Right Side



Left Side

7. Screw **8** **9** onto **B**. Place the **6** by **8**.

Make sure place the gas spring correctly according to the drawing.

According the position to adjust the angle of the door.

8. hang the baskets.

