

**M-Series Lazy Susan**



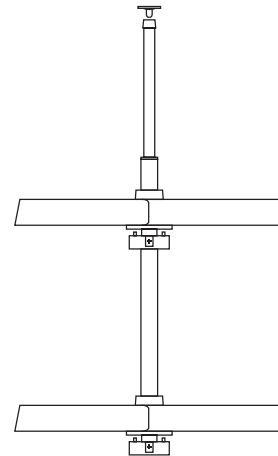
**Product Features**

The M-Series Lazy Susan is a rotating storage solution tailored for kitchen base corner cabinets. The plastic injected shelves rotate independently on a steel chrome plated telescopic pole. Turn your corner cabinet into a storage nexus.

- Matches 2 industry standard drawer wall colours - White & Anthracite Grey
- Available in 3 sizes - 610mm (24"), 711mm (28") & 813mm (32")
- Chrome telescopic pole from 546mm (21-1/2") to 838mm (33")
- Memory stop at door opening

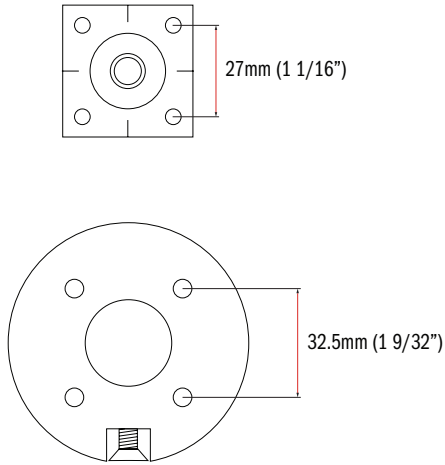
**What's In the Box**

- top mounting support
- pole assembly
- shelf hub
- shelf support
- plastic shelf x2
- lower mounting support



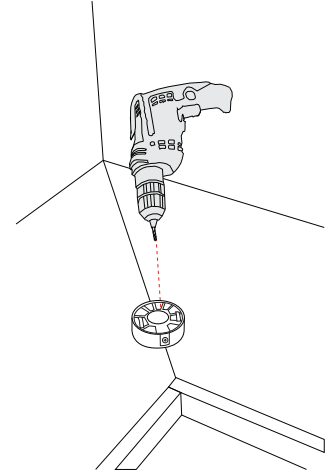
Width	Part#	Finish
610mm (24")	04-1524-AG	Anthracite
610mm (24")	04-1524-WH	White
711mm (28")	04-1528-AG	Anthracite
711mm (28")	04-1528-WH	White
813mm (32")	04-1532-AG	Anthracite
813mm (32")	04-1532-WH	White

### Dimensions



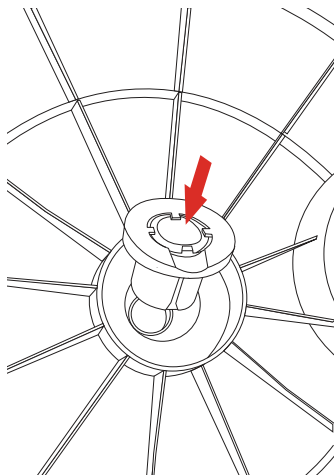
### Step# 1 Measure and Mount Supports

Mark layout for lower mounting support by placing a shelf into the cabinet upside down. Center the shelf on the bottom of the cabinet making sure you have proper clearance from cabinet walls and door. Mark the mounting location by tracing inside the hole in the middle of the shelf. Measure the center of bottom mounting location and transfer to the top of the cabinet. Align Top Mounting Support with center detent marks and install with four - #8 x 5/8 Pan Head Phillips Wood Screws. Place one Shelf Support on lower marks and secure with four - #8 x 3/4 Flat Head Phillips Wood Screws to the bottom of the cabinet as shown (align set screw for proper shelf orientation).



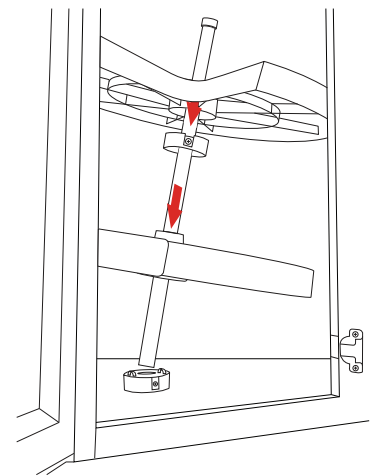
### Step# 2 Install Hubs

Press one Shelf Hub into the bottom of the Plastic Shelf as shown, creating the Shelf Assembly. Repeat with other shelf.



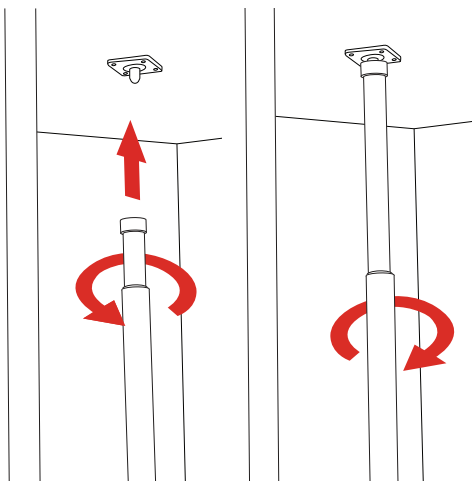
### Step# 3 Shelf Assembly

From the top, slide one Shelf Assembly, the Shelf Support and then the second Shelf Assembly onto the Pole Assembly as shown. Slide bottom of Pole Assembly onto the lower mounting support.



### Step# 4 Pole Extension

Holding onto the lower pole, twist the upper pole counter clockwise to release. Extend pole upwards until it rests firmly against the Top Mounting Support and tighten by turning the pole clockwise.



### Step# 5 Shelf Adjustment

Raise upper Shelf Assembly to desired height and tighten the Locking Set Screw. Raise lower Shelf Assembly and tighten that Locking Set Screw.

