

Series 200 complementary hinges

For wooden doors with negative angled assembly



Technical information

11 mm deep metal cup

120° opening

Possible drilling distance on the door (K): from 3 to 6 mm

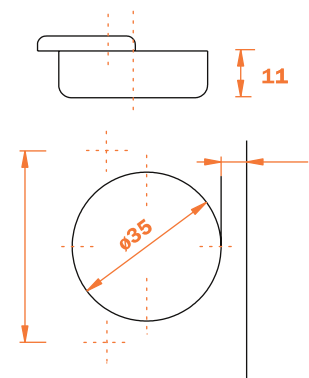
Compatible with all traditional Series 200 mounting plates and with all Domi® snap-on mounting plates

Packing

Boxes 150 pcs.

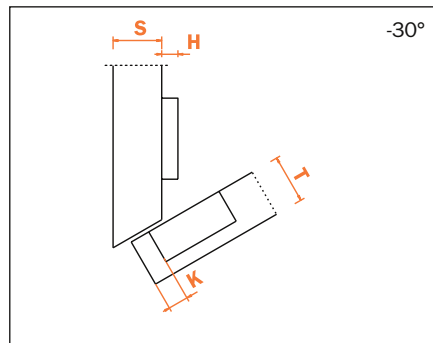
Pallets 3600 pcs.

The solution of assembly problems where doors are mounted at a positive or negative angle requires the verification of drilling distances by a practical trial. Please do not hesitate to consult our technical support department for assistance.



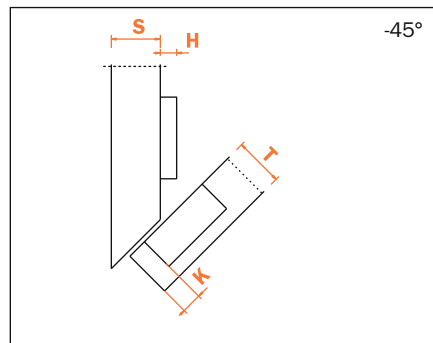
CA sprung hinge

Arm -30°



CA C2...7W99

Arm -45°



CA C2...7H99

Use the tables "Drillings and fixings" at page 29 to complete the code number of the desired hinge.