

## Series M

Series M



# Series M - 270° opening

## Technical features

**Bright nickel plated die-cast cup and arm.  
Sprung hinge (with spring).**

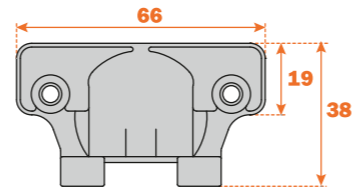
**Ideal for the most critical applications, where high stability, strength and endurance are required. They are certified for applications in public environments in conformity with FIRA Level 5 and ANSI Grade 1 requirements.**

### Adjustments

Compensating side adjustment from -3 mm to +3 mm.  
With mounting plates H=0 the negative side adjustment cannot be used.  
Height adjustment ±2 mm.  
Depth adjustment with Series 200 mounting plates +2.8 mm.  
Depth adjustment with Domi snap-on mounting plates from -0,5 mm to +2.8 mm.  
Anti-sliding safety stop.

### Mounting plates

Symmetrical and asymmetrical bright nickel plated steel or die-cast Series 200 mounting plates.  
Snap-on assembly on Domi mounting plates.  
Positioning with pre-determined stop on traditional Series 200 mounting plates.  
N.B. : Use POZIDRIVE No. 2 screwdrivers for all screws.



## CM\_3A99

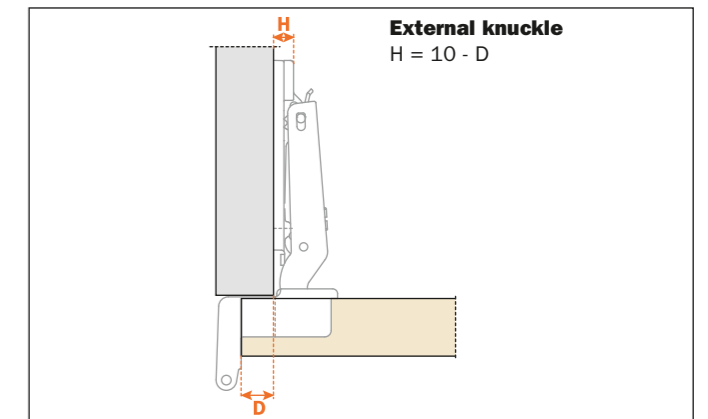
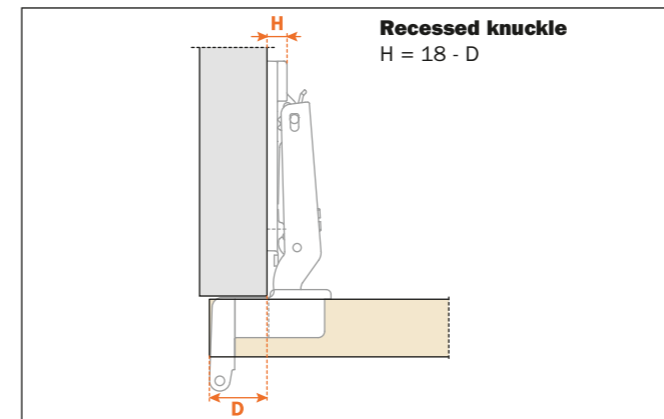


Use the tables "Drillings and fixings" at page 178 to complete the code number of the desired hinge.

### Packing

Boxes 100 pcs.  
Pallets 2.400 pcs.

Use these formulas to determine the height of the mounting plate "H" which is necessary to solve each application problem.

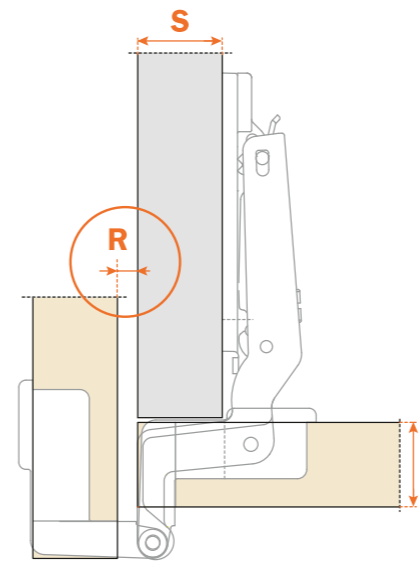


## Drillings and fixings

<b>Wood screw</b>		<b>A</b>	<b>P</b>	<b>U</b>
<b>Dowel</b>		<b>B</b>	<b>R</b>	<b>W</b>

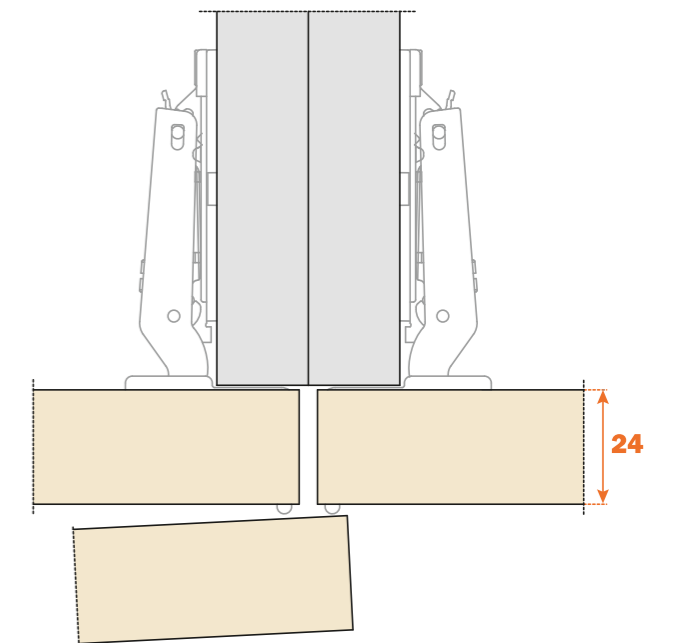
**Use this table to identify the available drillings and fixings. Fill the third position of the hinge code number with the letter or the number corresponding to your choice. I.e.: CM\_3A99.**

↑  
Fill this position with the chosen letter or number.



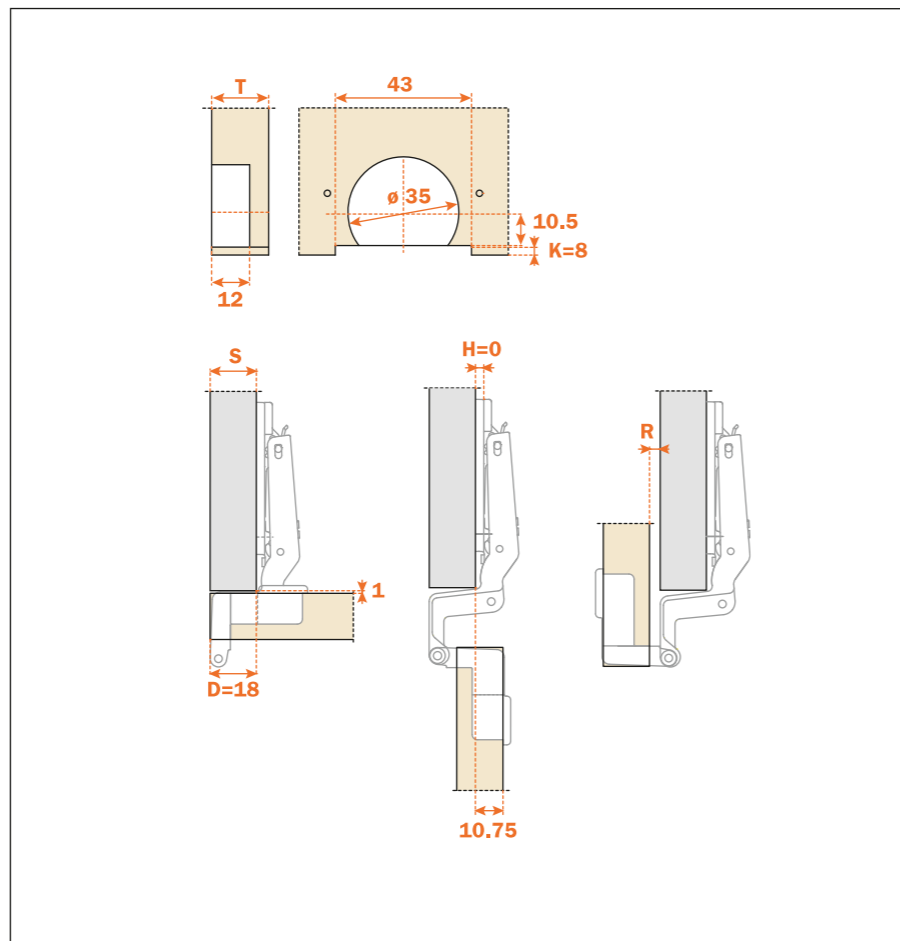
**Chart to verify that full 270° opening is possible. Full 270° opening is possible only with R value ≥ 0 and mounting plates H=0 mm. Otherwise the actual opening must be checked with a practical test.**

		Door thickness T		
		18	19	20
Side thickness S	20	2,25	1,25	0,25
	19	3,25	2,25	1,25
	18	4,25	3,25	2,25
R value				

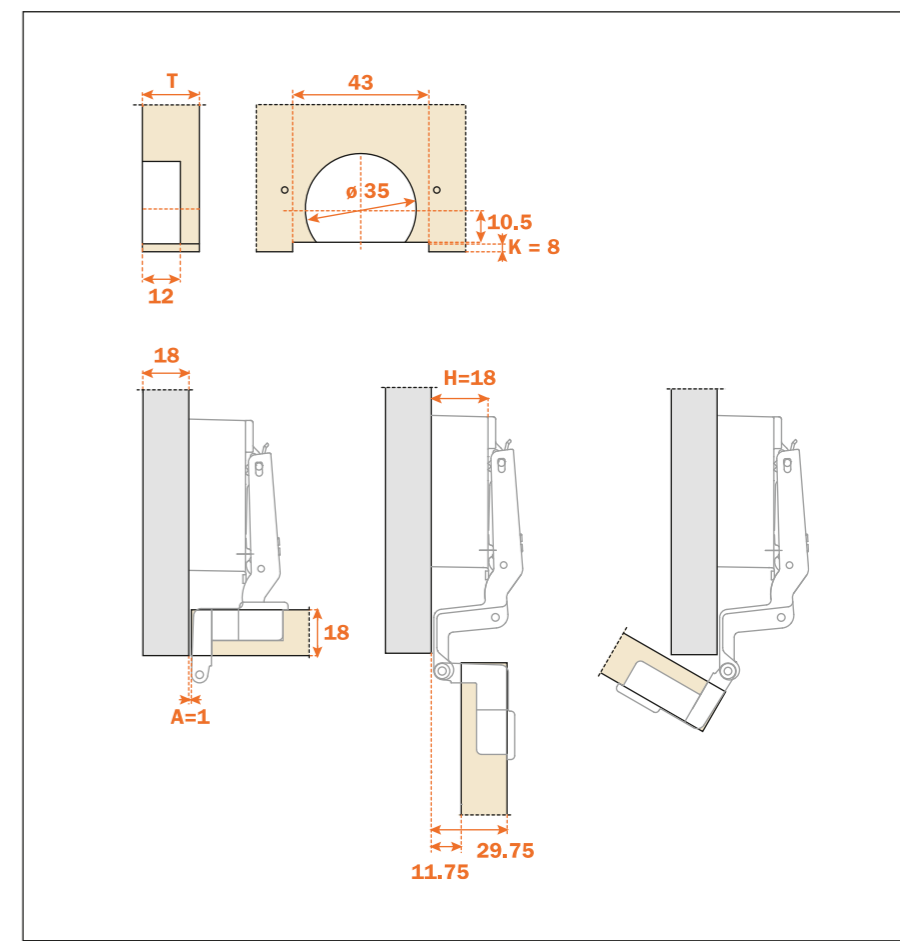


**180° opening with door thickness max. 24 mm.**

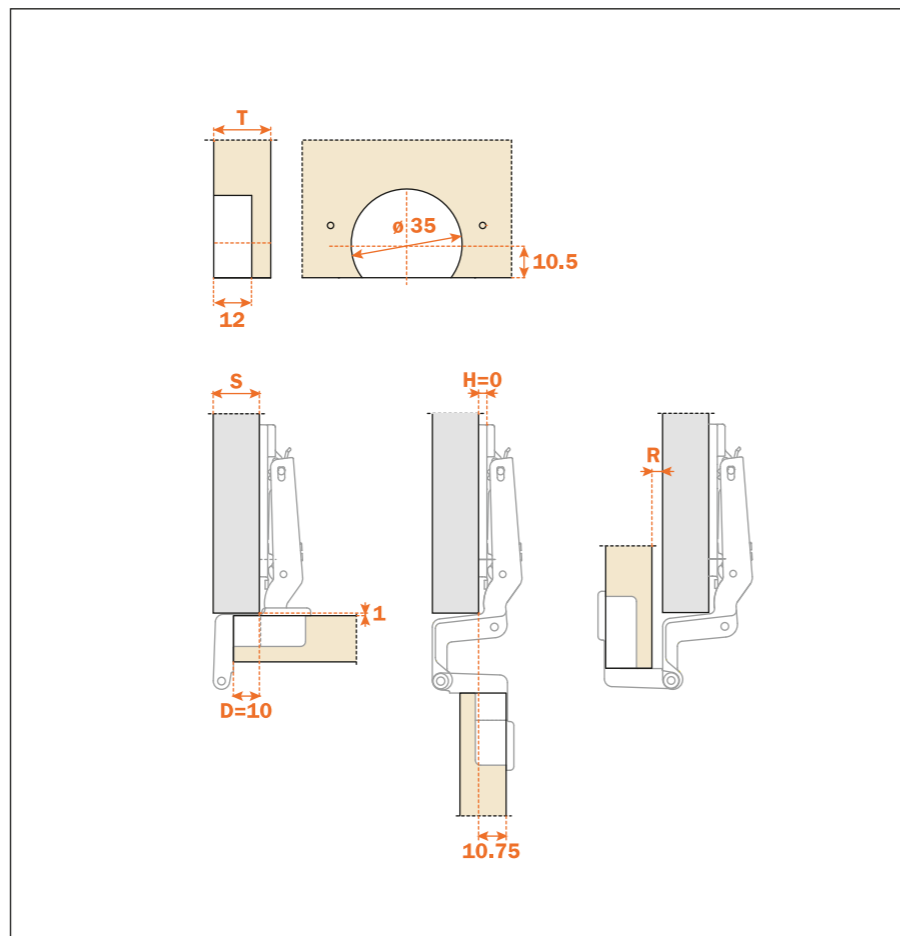
Application with recessed knuckle



Application with inset door



Application with external knuckle



Application with half overlay door

