

# Doublewall Drawer System

## Specifications & Ordering Guide

### Pots & Pan Internal Drawer with High Metal Boxsides

### Product Features

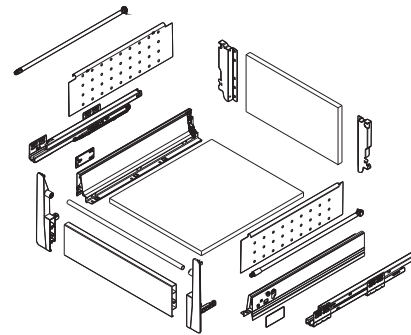


- Finishes: Grey, & White
- Tool free assembly and removal of drawer
- Silent system guarantees smooth running
- Full adjustment (up, down, left, right)
- Standard 83mm height sides
- Dynamic load capacity: 40kg (88lbs)

### Standard Drawer Kit (packaged as a complete set)

#### Order Standard Drawer Kit, plus these parts:

- Add a pair of rear double rail fixing brackets
- Add a pair of internal double front fixing brackets
- Add a metal 1100mm internal drawer front, which can be cut to match your drawer width
- Add a pair of round lateral rails
- Add a 1100mm internal cross rail, which can be cut to match your drawer width
- Add an internal drawer handle (optional)
- Add a pair of High Metal Boxsides



#### High Metal Boxsides

Length	Grey			Qty.
350mm	105-M52E350G	105-M52E350W	105-M52E350SS	20
400mm	105-M52E400G	105-M52E400W	105-M52E400SS	20
450mm	105-M52E450G	105-M52E450W	105-M52E450SS	20
500mm	105-M52E500G	105-M52E500W	105-M52E500SS	20
550mm	105-M52E550G	105-M52E550W	105-M52E550SS	20

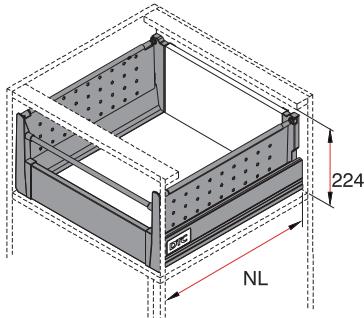
#### Internal Drawer Handles

Finish	Grey
Grey	105-M01022G
White	105-M01022W

# Doublewall Drawer System

## Specifications & Ordering Guide

### Space Requirements

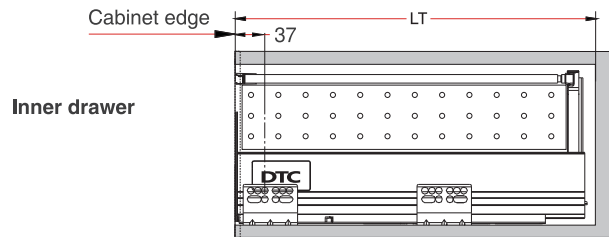


NL:Nominal length

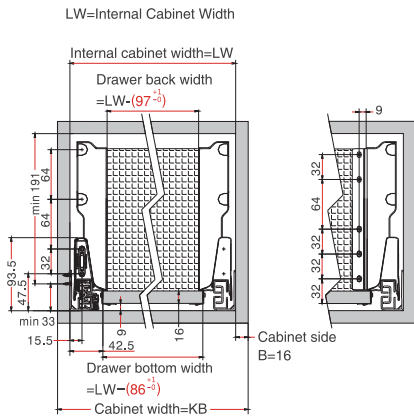
### Installation Dimensions

NL=Nominal Slide Length  
LT=Internal Cabinet Depth

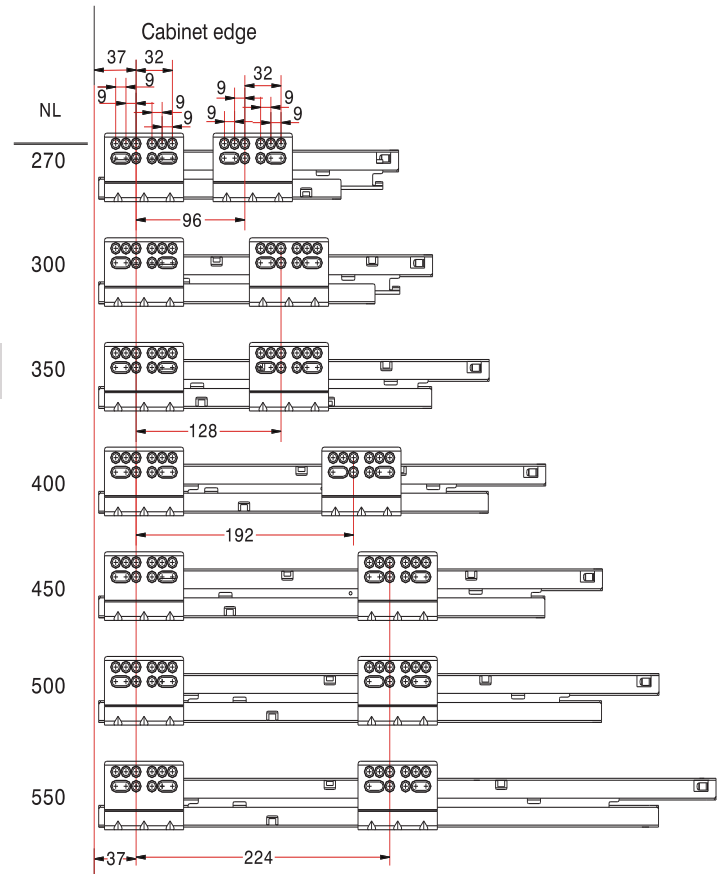
Soft close slides LT=NL+3  
Push-open slides LT=NL+12



### Installation Dimensions

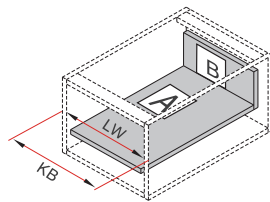
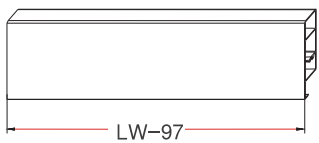


### Drilling Pattern



### Drawer Front, Back and Bottom Dimension

Front section



KB = Cabinet Width  
LW = Internal Cabinet Width  
NL = Nominal Slide Length

