



Internal Stabilizer for Wide Doublewall Drawers

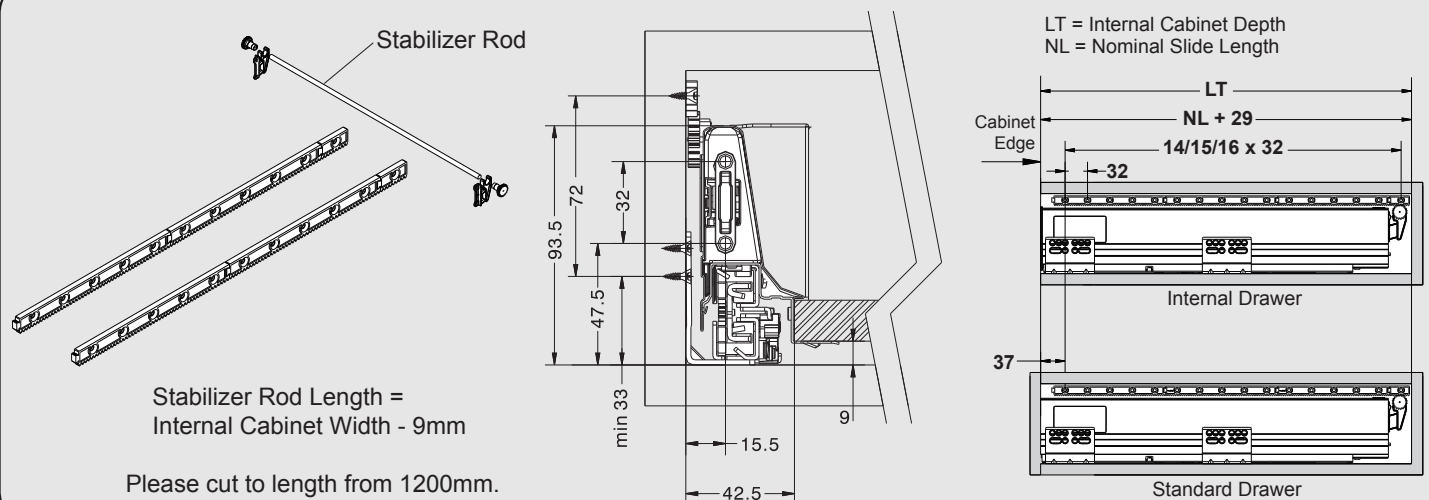
Product Features

- Provides extra strength and rigidity for wider drawers.
- Required for drawers from 900 to 1200mm wide.
- Helps to prevent racking by coordinating the movement of the independently installed slides.
- Maintains the smooth and silent Soft-Close for the lifetime of the slide.



Item No.	Length
105-M01081-450	450mm
105-M01081-500	500mm
105-M01081-550	550mm

Interior Cabinet Space Requirements



Installation Procedure

